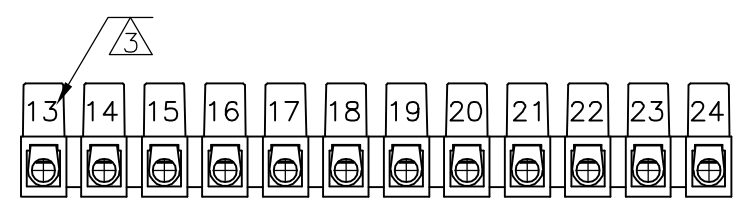
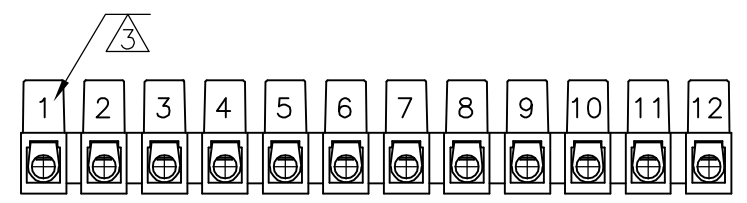
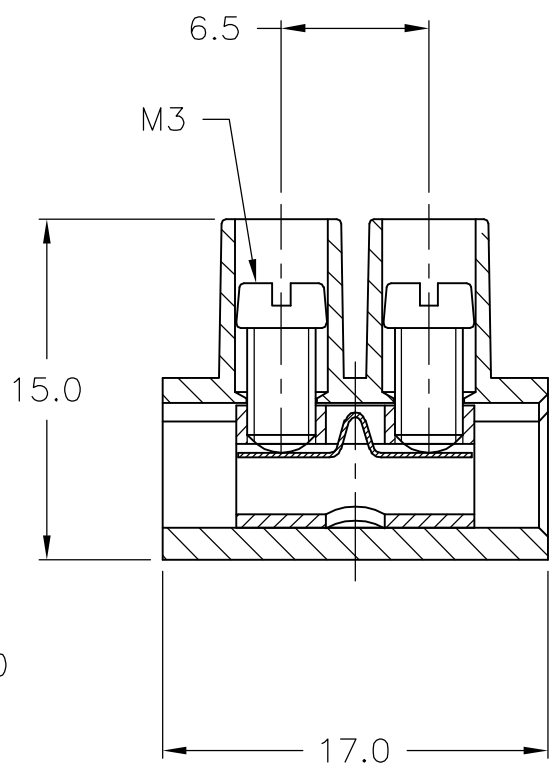
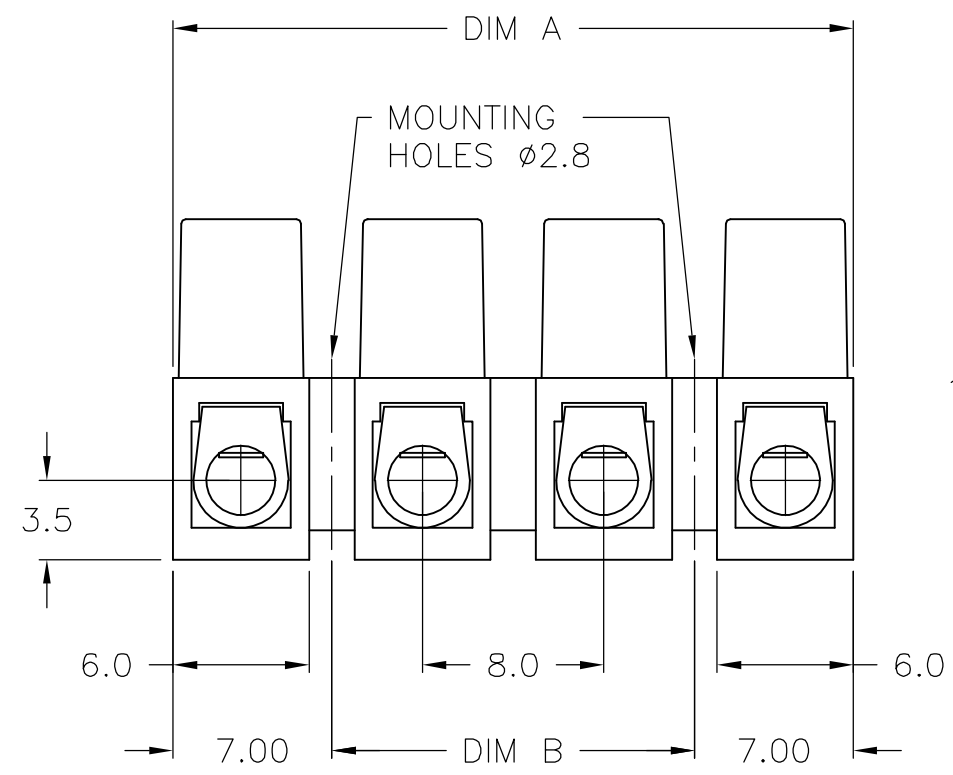


THIS DRAWING IS UNPUBLISHED. RELEASED FOR PUBLICATION  
 © COPYRIGHT BY TYCO ELECTRONICS CORPORATION. ALL RIGHTS RESERVED.

LOC FT	DIST 0	REVISIONS			
P	LTR	DESCRIPTION	DATE	DWN	APVD
	D1	REVISED PER ECO-06-24176	10/18/06	SS	CR

NOTES:

- MATERIAL:  
 HOUSING - POLYIMIDE 6 UL94V-2  
 COLOR - NATURAL (OFF WHITE)  
 TUBULAR CONTACT: BRASS TIN PLATED  
 SCREW: STEEL M3 ZINC W/ CHROMATE  
 WIRE PROTECTOR: STAINLESS STEEL
  - CURRENT RATING: 30A, 250V  
 12-26 AWG
- INK STAMPED, BLACK PERMANENT INK.  
 PRELIMINARY PART NUMBER.



	80.0	94.0	12	-	796753-4
	80.0	94.0	12	-	796753-3
	80.0	94.0	12	TSB23012DS	1437388-3
	72.0	86.0	11	TSB23011DS	1437388-1
	64.0	78.0	10	TSB23010DS	9-1437387-9
	56.0	70.0	9	TSB23009DS	9-1437387-8
	48.0	62.0	8	TSB23008DS	9-1437387-6
	40.0	54.0	7	TSB23007DS	9-1437387-4
	32.0	46.0	6	TSB23006DS	9-1437387-3
	24.0	38.0	5	TSB23005DS	9-1437387-1
	16.0	30.0	4	TSB23004DS	8-1437387-9
	8.0	22.0	3	TSB23003DS	8-1437387-7
	-	14.0	2	TSB23002DS	8-1437387-5
	-	6.0	1	TSB23001DS	796753-1
DIM B	DIM A	NO. POSN	CATALOG NUMBER	TYCO NUMBER	

THIS DRAWING IS A CONTROLLED DOCUMENT.		DWN S SCHLEGEL 12/2/02	<b>BUCHANAN</b> Tyco Electronics Corporation Harrisburg, PA 17105				
DIMENSIONS: MM		CHK C RICHARD 12/2/02					
TOLERANCES UNLESS OTHERWISE SPECIFIED:		APVD C RICHARD 12/2/02	NAME EUROPA TERMINAL BLOCK W/WIRE PROTECTOR MOUNTING HOLES 2.8 DIA., 8.0mm PITCH				
0 PLC $\pm -$ 1 PLC $\pm .3$ 2 PLC $\pm .25$ 3 PLC $\pm -$ 4 PLC $\pm -$ ANGLES $\pm 2$		PRODUCT SPEC -	APPLICATION SPEC -				
MATERIAL -		FINISH -	WEIGHT -	SIZE A3	CAGE CODE 00779	DRAWING NO C-8-1437387-5	RESTRICTED TO -
CUSTOMER DRAWING			SCALE 3:1	SHEET 1 OF 1	REV D1		